

TANGIBLE ERGONOMIC DESIGN: MECHANICAL HEIGHT ADJUSTMENT

uni-cart

uni-cart delivers an ergonomically ideal working position with mechanical height adjustment at any time. Standard monitor holder with VESA 75 / 100 adapter and keyboard shelf with pull-out mousepad can be adjusted as a unit to any position with minimum effort to configure this workstation as a sitting or standing workstation. This unit has an adjustment range of 300 mm and is always moved automatically as a unit, but it can also be fixed in place with a clamp lever mounted as an attachment. Two versions are available with a maximum loading of 16 kg / 35.2 lbs to suit users' requirements.



TANGIBLE ERGONOMIC DESIGN: MECHANICAL HEIGHT ADJUSTMENT

uni-cart

Designation: uni-cart with mechanical height adjustment

Order number: RS.4910.XXX ¹⁾ (payload: 3 kg / 6.6 lbs to 10 kg / 22 lbs)
RS.4911.XXX ¹⁾ (payload: 10 kg / 22 lbs to 16 kg / 35.2 lbs)

Base with an installation height of 35 U ²⁾ and an overall height of 1305 mm, incl. 4 stabilizers, equipped with:

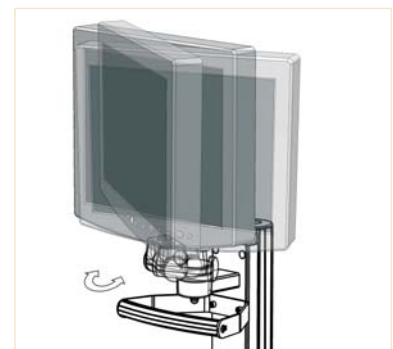
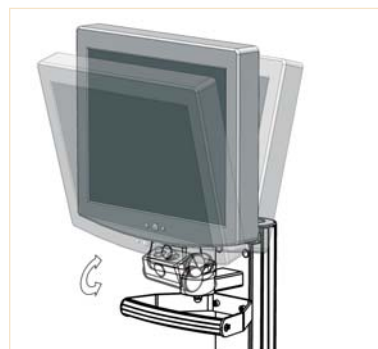
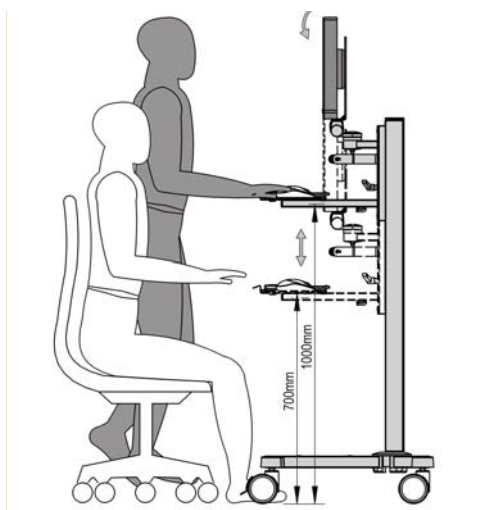
- 4 twin swivel castors with Ø 100 mm, 2 lockable castors
- 1 mechanical height adjuster
- 1 monitor mount with VESA 75 / 100 up to 14 kg / 30.8 lbs monitor weight
- 1 keyboard holder with pull-out mousepad (right / left)
- 1 handle, front
- 1 integrated cable strain relief

Payload: up to max. 16 kg / 35.2 lbs (depending on modell)

Total load capacity: max. 50 kg / 110 lbs

Finish:

- RAL 7035 light grey powder-coated
- Handle optional see ¹⁾



uni-cart can be configured to the appropriate working position as a standing or sitting workstation with an adjustment range of 300 mm and hence always guarantees ideal ergonomic working conditions.

The **monitor mount** is tiltable by $\pm 15^\circ$ and can be swivelled through $\pm 25^\circ$. It is ideal for monitors with VESA 75 / 100 adapter up to 14 kg / 30.8 lbs total weight.

¹⁾ **Trim colour:** Make sure you replace .XXX with .901 = RAL 5021 water-blue, .902 = RAL 5013 cobalt blue oder .903 = RAL 7035 light grey

²⁾ 1 U = 32 mm